

IGBT MODULE (L series)

■ Features

- High Speed Switching
- Low Saturation Voltage
- Voltage Drive

■ Applications

- Inverter for Motor Drive
- AC and DC Servo Drive Amplifier
- Uninterruptible Power Supply
- Industrial Machines, such as Welding Machines

■ Maximum Ratings and Characteristics

● Absolute Maximum Ratings

| Items | Symbols | Ratings | Units |
|---------------------------|------------------|-----------------------|-------|
| Collector-Emitter Voltage | V _{CES} | 600 | V |
| Gate-Emitter Voltage | V _{GES} | ±20 | V |
| Collector Current | Continuous | I _C | 75 |
| | 1ms | I _{C pulse} | 150 |
| | Continuous | -I _C | 75 |
| | 1ms | -I _{C pulse} | 150 |
| Max. Power Dissipation | P _C | 325 | W |
| Operating Temperature | T _j | +150 | °C |
| Storage Temperature | T _{stg} | -40 to +125 | °C |
| Net. Weight | | 185 | g |
| Isolation Voltage | AC. 1min. | V _{isol} | 2500 |
| Screw Torque | Mounting *1 | 35 | kg*cm |
| | Terminals *1 | 35 | |

*1 Recommendable Value 25 to 35kg*cm (M5)

● Electrical Characteristics (T_j=25°C)

| Items | Symbols | Test Conditions | Min. | Typ. | Max. | Units |
|--------------------------------------|----------------------|--|------|------|------|-------|
| Zero Gate Voltage Collector Current | I _{CES} | V _{GE} =0V V _{CE} =600V T _j =25°C | | | 1.0 | mA |
| Gate-Emitter Leakage Current | I _{GES} | V _{CE} =0V V _{GE} =±20V | | | 100 | nA |
| Gate-Emitter Threshold Voltage | V _{GE(th)} | V _{CE} =20V I _C =75mA | 3.0 | | 6.0 | V |
| Collector-Emitter Saturation Voltage | V _{CE(sat)} | V _{GE} =15V I _C =75A | | | 3.5 | V |
| Input Capacitance | C _{ies} | V _{GE} =0V | | 7100 | | pF |
| Output Capacitance | C _{oes} | V _{CE} =10V | | - | | |
| Reverse Transfer Capacitance | C _{res} | f=1MHz | | - | | |
| Turn-on Time *3 | t _{on} | V _{CC} =300V | | 0.4 | 0.8 | μs |
| | t _r | I _C =75A | | 0.3 | 0.6 | |
| | t _{off} | V _{GE} =±15V | | 0.6 | 1.0 | |
| Turn-off Time *4 | t _f | R _G =33Ω | | 0.2 | 0.35 | |
| | | | | | | |
| Diode Forward On-Voltage | V _F | I _F =75A V _{GE} =0V | | | 2.5 | V |
| Reverse Recovery Time | t _{rr} | I _F =75A -di/dt=225A/μs V _{GE} =-10V | | | 300 | ns |

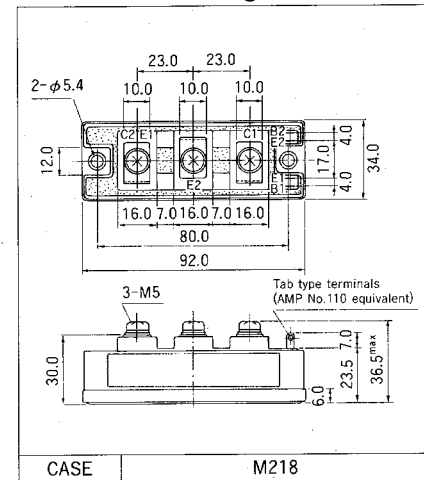
*3 Resistive load

*4 Inductive load

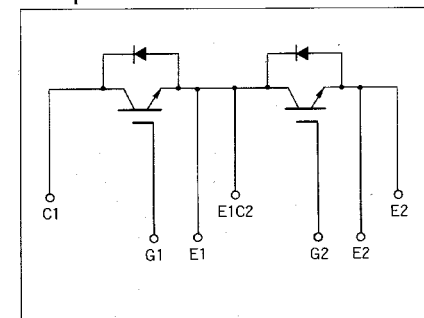
● Thermal Characteristics

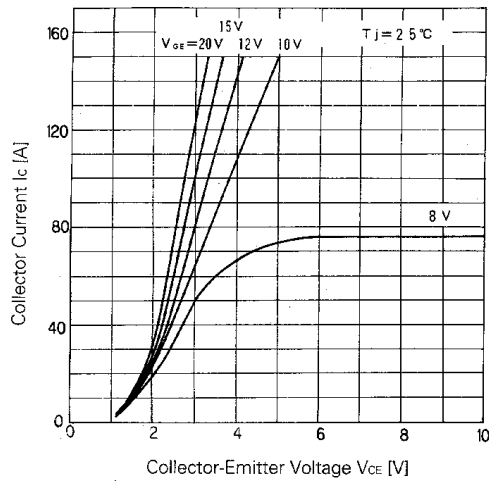
| Items | Symbols | Test Conditions | Min. | Typ. | Max. | Units |
|--------------------|----------------------|-----------------------|------|------|-------|-------|
| Thermal Resistance | R _{th(j-c)} | IGBT | | | 0.385 | °C/W |
| | R _{th(j-e)} | Diode | | | 0.85 | |
| | R _{th(c-f)} | With Thermal compound | | 0.06 | | |

■ Outline Drawings

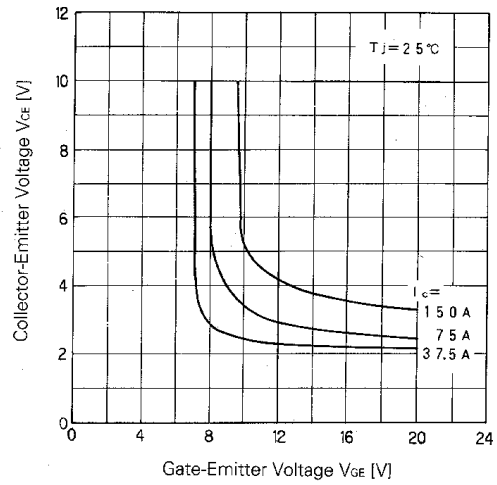


■ Equilavent Circuit Schematic

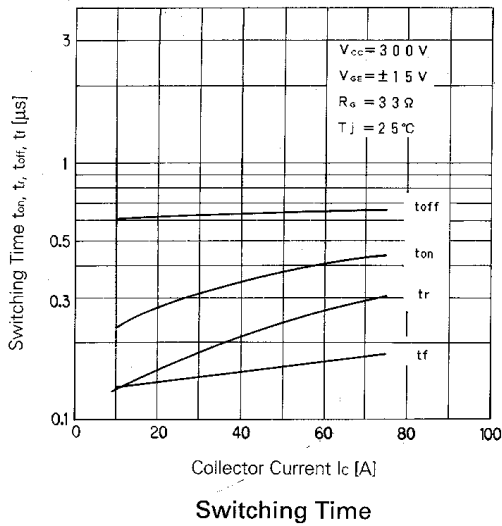




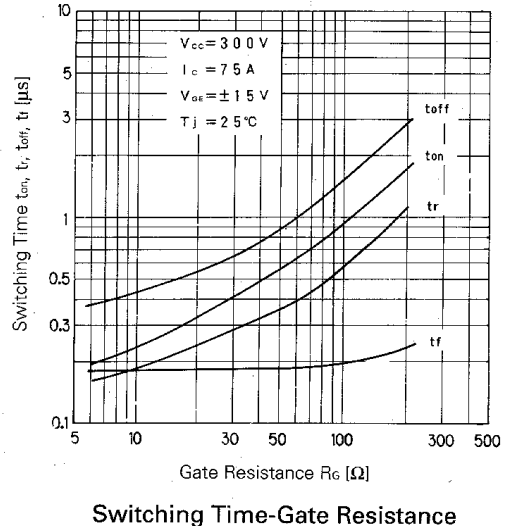
Collector Current vs. Collector-Emitter Voltage



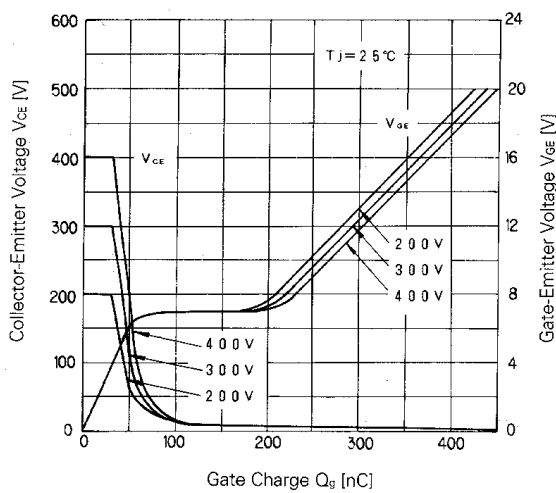
Collector-Emitter Voltage vs. Gate-Emitter Voltage



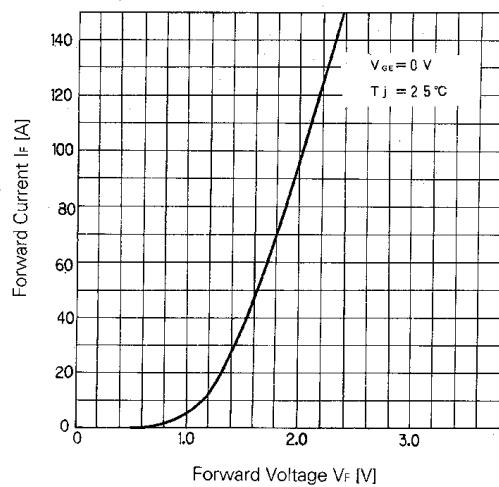
Switching Time



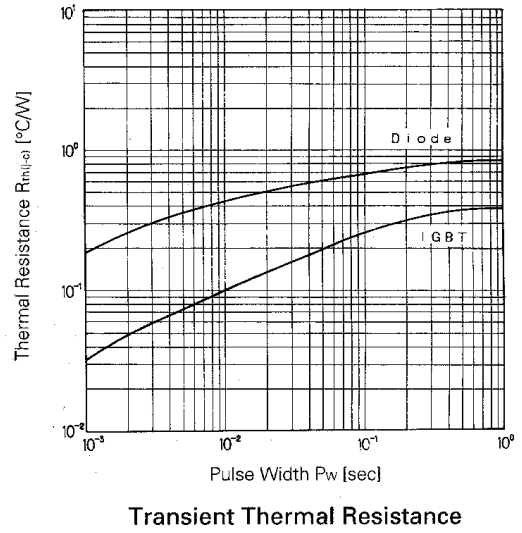
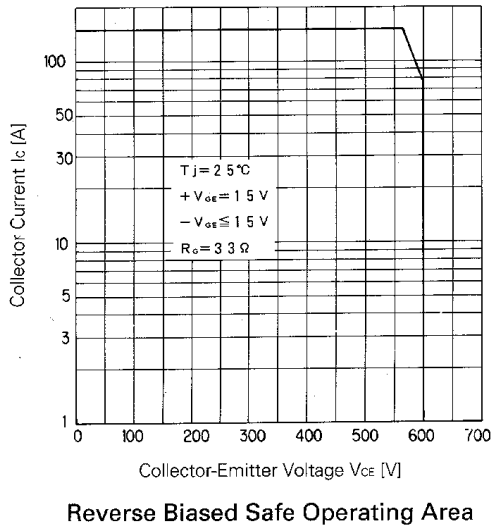
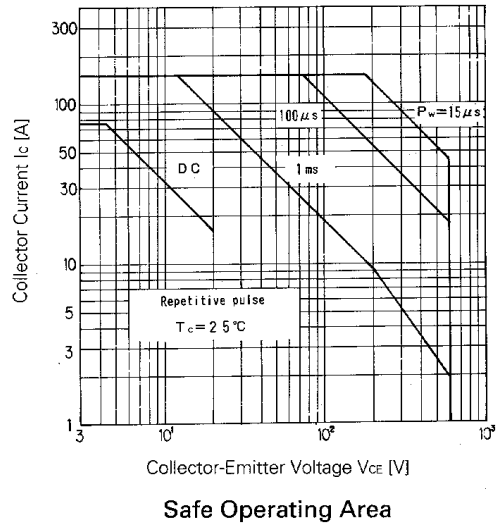
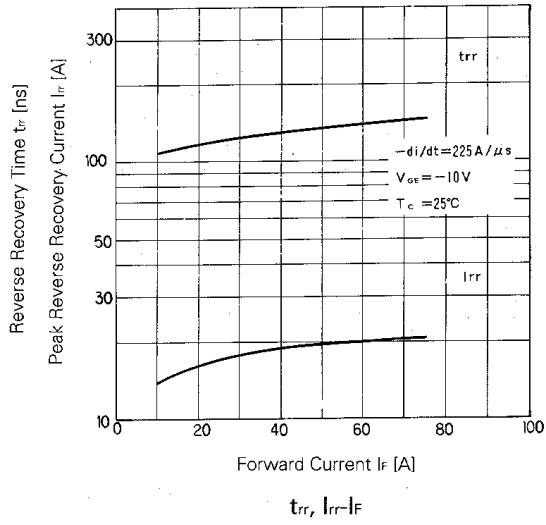
Switching Time-Gate Resistance



Dynamic Input Characteristic



Forward Voltage of Free Wheel Diode



For more information, contact:

Collmer Semiconductor, Inc.

P.O. Box 702708

Dallas, TX 75370

972-733-1700

972-381-9991 Fax

<http://www.collmer.com>