

## Fuji Discrete Package IGBT

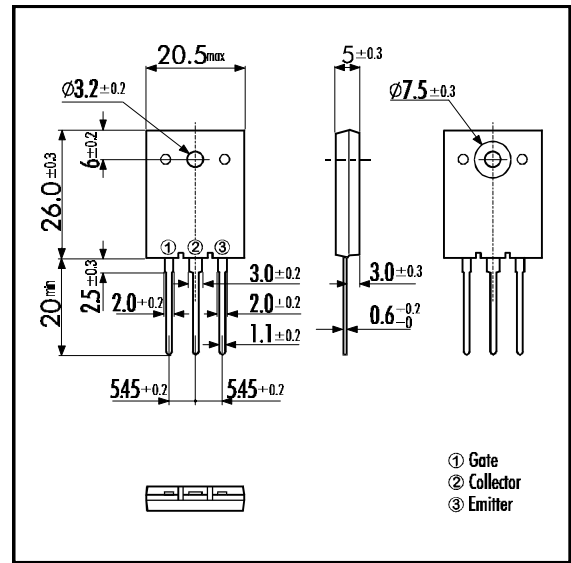
### ■ Features

- Square RBSOA
- Low Saturation Voltage
- Less Total Power Dissipation
- Minimized Internal Stray Inductance

### ■ Applications

- High Power Switching
- A.C. Motor Controls
- D.C. Motor Controls
- Uninterruptible Power Supply

## ■ Outline Drawing

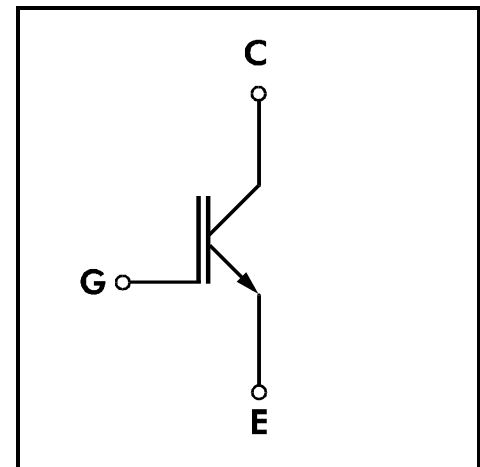


## ■ Maximum Ratings and Characteristics

### • Absolute Maximum Ratings (T<sub>c</sub>=25°C)

Items	Symbols	Ratings	Units
Collector-Emitter Voltage	V <sub>CES</sub>	600	V
Gate -Emitter Voltage	V <sub>GES</sub>	± 20	V
Collector Current	DC T <sub>c</sub> = 25°C	I <sub>C 25</sub>	82
	DC T <sub>c</sub> =100°C	I <sub>C 100</sub>	50
	1ms T <sub>c</sub> = 25°C	I <sub>C PULSE</sub>	328
IGBT Max. Power Dissipation	P <sub>C</sub>	310	W
Operating Temperature	T <sub>i</sub>	+150	°C
Storage Temperature	T <sub>stg</sub>	-40 ~ +150	°C
Mounting Screw Torque		70	Nm

## ■ Equivalent Circuit



### • Electrical Characteristics (at T<sub>F</sub>=25°C)

Items	Symbols	Test Conditions	Min.	Typ.	Max.	Units	
Zero Gate Voltage Collector Current	I <sub>CES</sub>	V <sub>GE</sub> =0V V <sub>CE</sub> =600V			1.0	mA	
Gate-Emitter Leakage Current	I <sub>GES</sub>	V <sub>CE</sub> =0V V <sub>GE</sub> =± 20V			20	μA	
Gate-Emitter Threshold Voltage	V <sub>GE(th)</sub>	V <sub>GE</sub> =20V I <sub>C</sub> =50mA	5.5		8.5	V	
Collector-Emitter Saturation Voltage	V <sub>CE(sat)</sub>	V <sub>GE</sub> =15V I <sub>C</sub> =50A			3.0	V	
Input capacitance	C <sub>ies</sub>	V <sub>GE</sub> =0V		3000		pF	
Output capacitance	C <sub>oes</sub>	V <sub>CE</sub> =10V		650			
Reverse Transfer capacitance	C <sub>res</sub>	f=1MHz		150			
Switching Time	Turn-on Time	t <sub>ON</sub>	V <sub>CC</sub> =300V I <sub>C</sub> =50A V <sub>GE</sub> =±15V R <sub>G</sub> =62Ω		1.2	μs	
		t <sub>r</sub>			0.6		
	Turn-off Time	t <sub>OFF</sub>			1.0		
		t <sub>f</sub>			0.35		
	Turn-on Time	t <sub>ON</sub>	V <sub>CC</sub> =300V I <sub>C</sub> =50A V <sub>GE</sub> =+15V R <sub>G</sub> =6Ω		0.16	μs	
		t <sub>r</sub>			0.11		
		Turn-off Time		t <sub>OFF</sub>			0.30
				t <sub>f</sub>			0.35

### • Thermal Characteristics

Items	Symbols	Test Conditions	Min.	Typ.	Max.	Units
Thermal Resistance	R <sub>th(j-c)</sub>				0.40	°C/W

