

IGBT Driving Hybrid IC

EXB 844

Specification

7. Absolute Maximum Rating (Ta=25°C)

Parameter	Symbol	Conditions	Rated value	Unit
Power supply voltage	Vcc		2.5	V
Photo coupler input current	Iin		1.0	mA
Forward bias output current	Igl	Pw=2μs, duty≤0.05	4.0	A
Reverse bias output current	Ig2	Pw=2μs, duty≤0.05	4.0	A
Isolation voltage	VISO	AC50Hz/60Hz, 1minut	2500	V
Operation temperature	Tc		-25~+85	°C
Storage temperature	Tstg		-25~+125	°C

8. Recommended Operating Conditions

7-1. Power supply voltage

$$V_{cc} = 2.0 \sim 0(V)$$

7-2. Photo Coupler Input Current

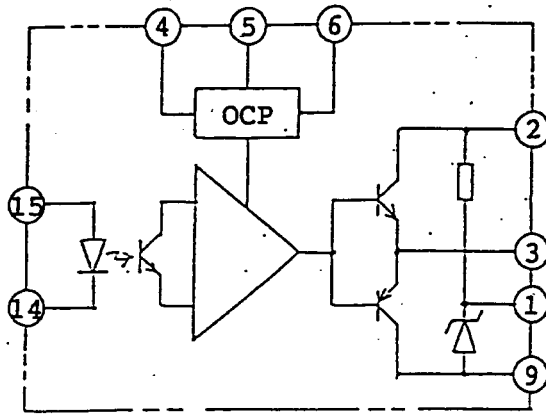
$$I_f = 10(mA)$$

9. Electrical Characteristics (Ta=25°C)

Parameter	Symbol	Conditions	Rated value			Unit
			MIN	TYP	MAX	
Switching time 1	t on	Vcc=20V, If=10mA			2.0	μsec
Switching time 2	t off	Vcc=20V, If=10mA			2.0	μsec
OCP operating voltage	Vocp	Vcc=20V, If=10mA		8.5		V
OCP delay time	t ocp	Vcc=20V, If=10mA			10	μsec
Alarm delay time	t ALM	Vcc=20V, If=10mA			1.5	μsec
Reverse bias power supply voltage	VRB	Vcc=20V		5.0		V
Opto coupler Common mode transient immunity	dv/dt	Vcc=20V, If=10mA	15.0			KV/ μsec
Gate resistance	Rg	Vcc=20V, If=10mA	3.3			Ω

IGBT-Driving Hybrid ICs EXB 844 Specification

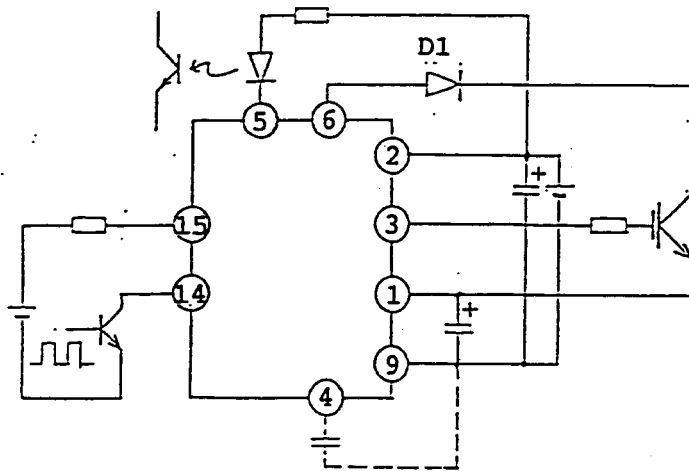
5. Equivalent Circuit



Terminal No.	Terminal name
1	Reverse bias power supply
2	Power supply
3	Output
4	OCP time adjustment
5	Alarm output
6	OCP detection
7	N. C.
8	N. C.
9	Power supply (OV)
10	--
11	--
12	--
13	--
14	Input (-)
15	Input (+)

6. Application Circuits

Note: D1 requires voltage resistance equivalent to that of the main frame.



IGBT-Driving Hybrid ICs EXB 844
Specification

7. Absolute Maximum Rating (Ta=25°C)

Parameter	Symbol	Conditions	Rated value	Unit
Power supply voltage	Vcc		2.5	V
Photo coupler input current	Iin		1.0	mA
Forward bias output current	Igl	Pw=2μs, duty≤0.05	4.0	A
Reverse bias output current	Ig2	Pw=2μs, duty≤0.05	4.0	A
Isolation voltage	VISO	AC50Hz/60Hz, 1minut	2500	V
Operation temperature	Tc		-25~+85	°C
Storage temperature	Tstg		-25~+125	°C

8. Recommended Operating Conditions

7-1. Power supply voltage

$$V_{cc}=20-0(V)$$

7-2. Photo Coupler Input Current

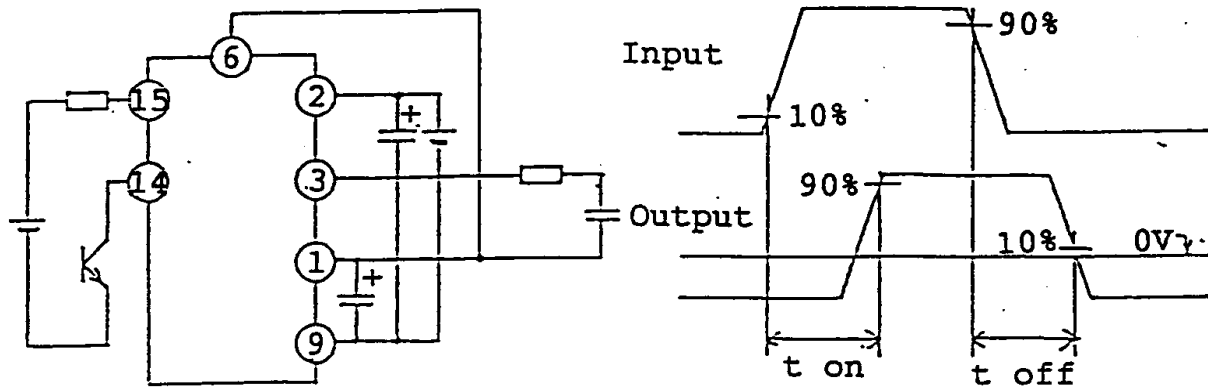
$$I_f=10(mA)$$

9. Electrical Characteristics (Ta=25°C)

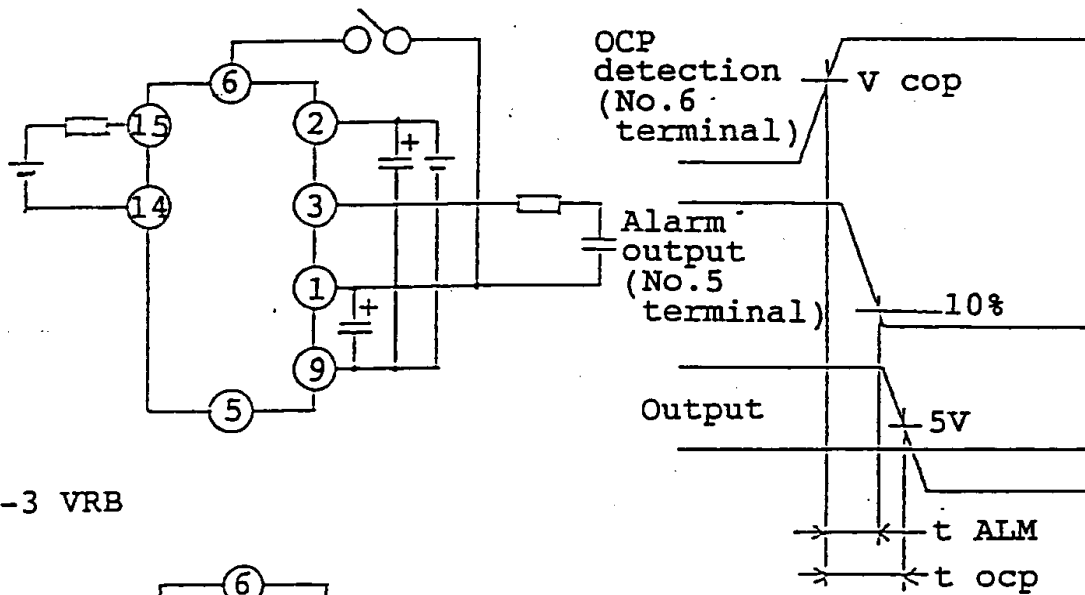
Parameter	Symbol	Conditions	Rated value			Unit
			MIN	TYP	MAX	
Switching time 1	t on	Vcc=20V, If=10mA			2.0	μsec
Switching time 2	t off	Vcc=20V, If=10mA			2.0	μsec
OCP operating voltage	Vocp	Vcc=20V, If=10mA		8.5		V
OCP delay time	t ocp	Vcc=20V, If=10mA			10	μsec
Alarm delay time	t ALM	Vcc=20V, If=10mA			1.5	μsec
Reverse bias power supply voltage	VRB	Vcc=20V		5.0		V
Opto coupler Common mode transient immunity	dv/dt	Vcc=20V, If=10mA	15.0			KV/ μsec
Gate resistance	Rg	Vcc=20V, If=10mA	3.3			Ω

10. Test-Circuits

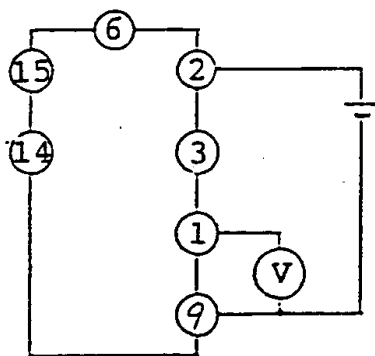
10-1 t on, t off



10-2 V ocp t cop t ALM



10-3 VRB



**IGBT-Driving Hybrid ICs EXB 844
Specification**

11. Reliability

Parameter	Conforming standards	Conditions
Soldering heat resistance	EIAJ IC-121-01	260±5°C, 10±S
Solderability	EIAJ IC-121-02	230±5°C, with flux, more than a 95% portion should have been soldered.
Natural fall	EIAJ IC-121-08	75cm, shelf board, 3 cycl
Vibration	EIAJ IC-121-10	10 to 55 Hz, 1.5cm, sweep 1 minut, 6H
Terminal tensile strength	EIAJ IC-121-11	0.5kgf, 10±10 sec
Terminal bending strength	EIAJ IC-121-11	0.25kg, 90°C bend, 2 cycl
Heat shock	EIAJ IC-121-03	0°C to 100 °C, fresh water, 15 sec, transfer 3 sec, 5 cycl
Temperature cycle	EIAJ IC-121-04	-25°C to 125°C, 30 minut, RT = 15 minut, 5 cycl
High temperature storage	EIAJ IC-121-15	125°C, 1000H
Low temperature storage	EIAJ IC-121-17	-25°C, 1000H
Moisture resistance	EIAJ IC-121-17	60±2°C, 90±5%, 1000H
Continuosu operation	EIAJ IC-121-51	Tc = 85°C, 1000H

12. Precautions for Use

- 1) No chemical should come into contact with the portion other than lead wires during cleaning because deterioration or a change in appearance of the products may occur.

For more information, contact:

Collmer Semiconductor, Inc.

P.O. Box 702708

Dallas, TX 75370

972-233-1589

972-233-0481 Fax

<http://www.collmer.com>